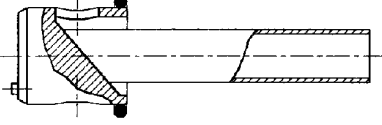
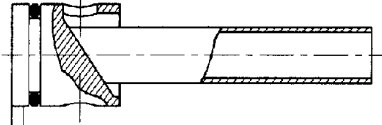
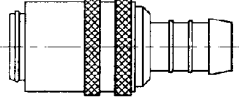
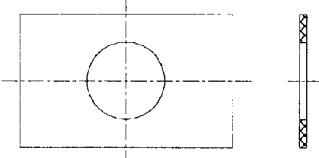
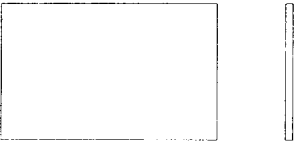
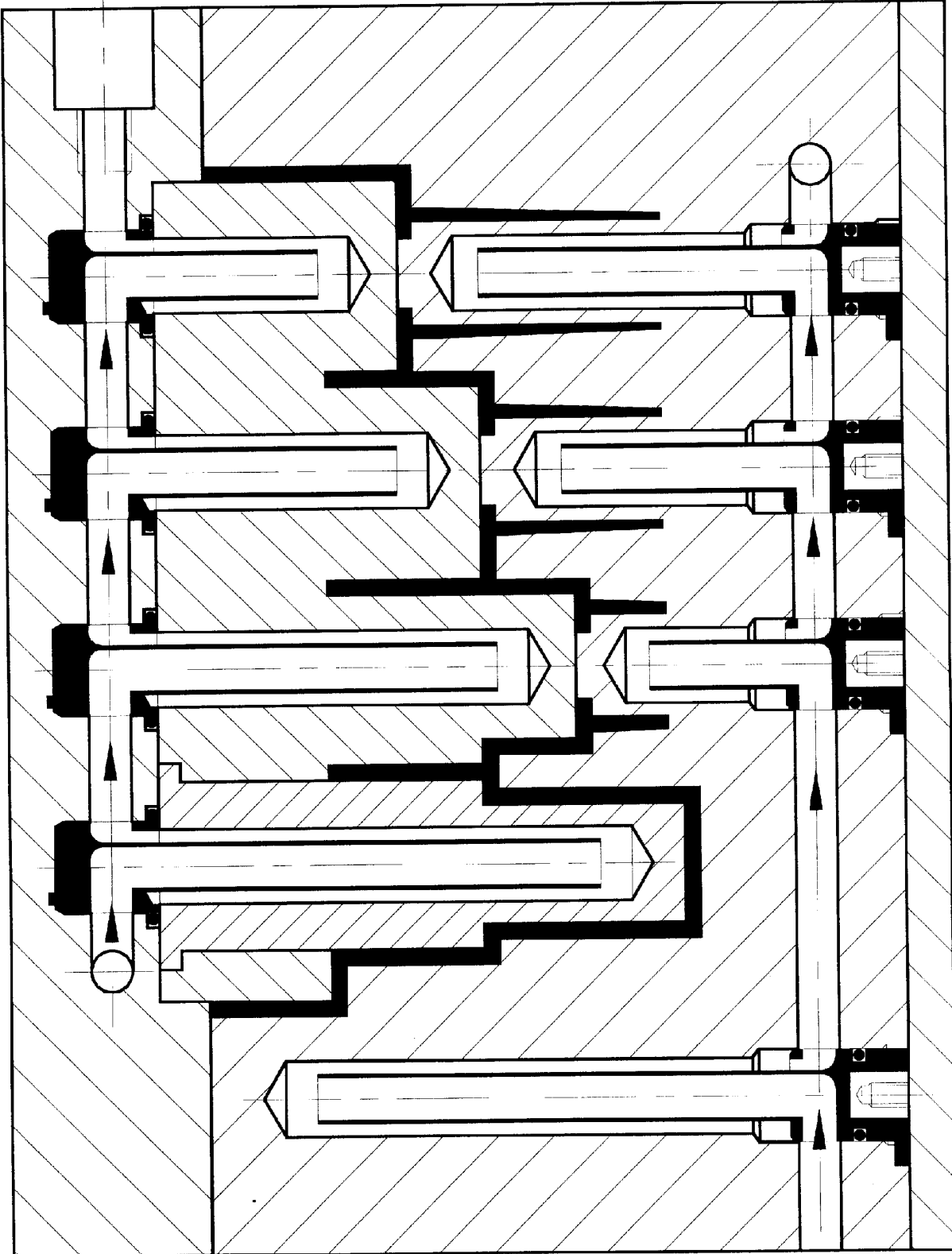


MDL



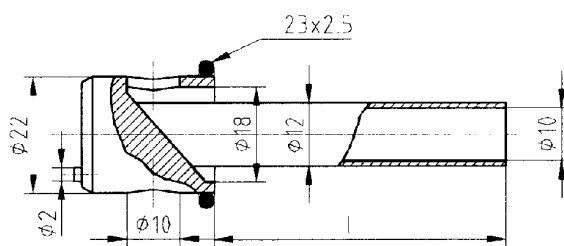
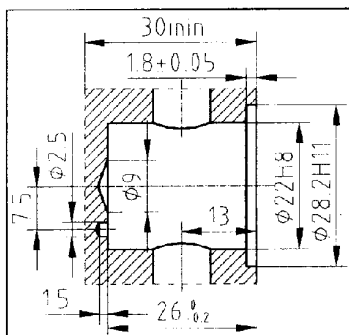
	A65.xxx.xxx	Elément de refroidissement	5.03
	A66.xxx.xxx	Elément de refroidissement	5.04
	A91.xxx.xxx A92.xxx.xxx	Connecteur	5.05 5.06 5.07
	W10.xxx.xxx	Plaque thermo-protectrice	5.08
	W11.xxx.xxx	Plaque thermo-protectrice	5.08





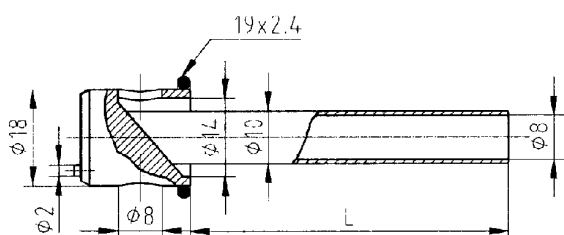
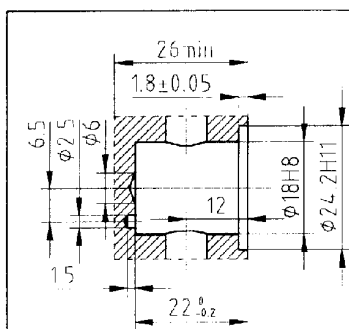
ELEMENT DE REFROIDISSEMENT

A65.xxx.xxx



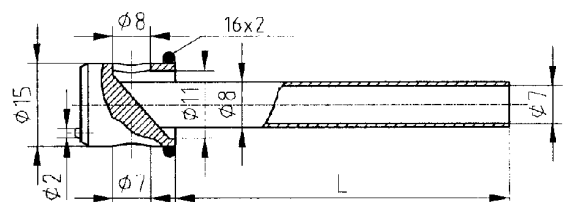
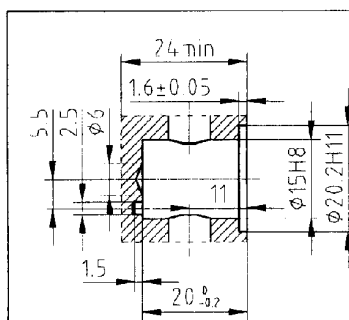
A65.012.xxx

∅	L	Référence
12	100	A65.012.100
	200	A65.012.200
	300	A65.012.300



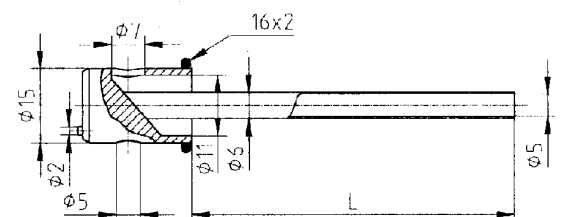
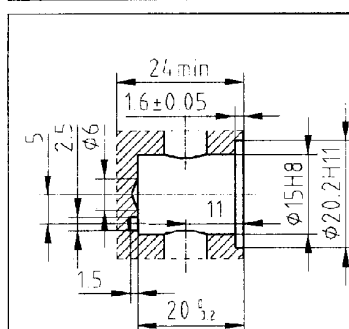
A65.010.xxx

∅	L	Référence
10	100	A65.010.100
	200	A65.010.200
	300	A65.010.300



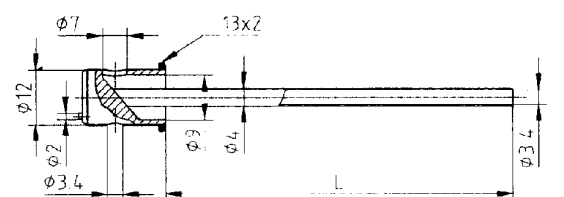
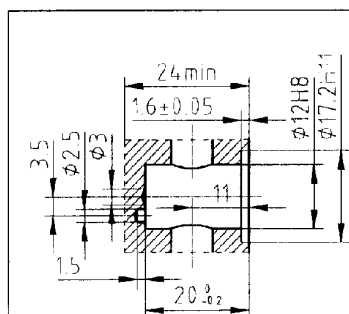
A65.008.xxx

∅	L	Référence
8	100	A65.008.100
	200	A65.008.200
	300	A65.008.300



A65.006.xxx

∅	L	Référence
6	100	A65.006.100
	200	A65.006.200
	300	A65.006.300



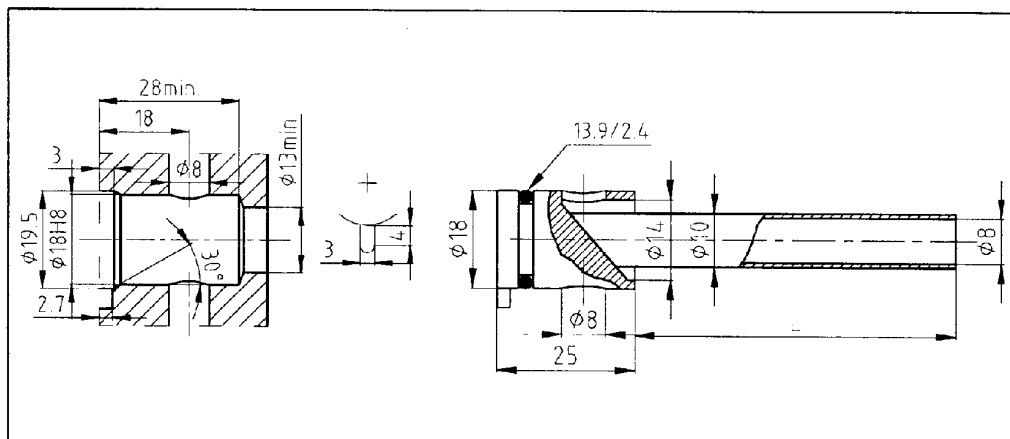
A65.004.xxx

∅	L	Référence
4	100	A65.004.100
	200	A65.004.200
	300	A65.004.300

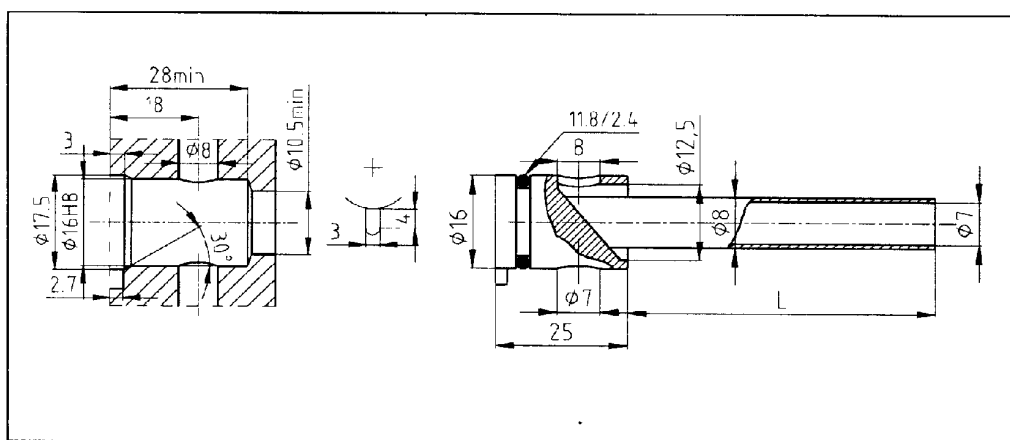


ELEMENT DE REFROIDISSEMENT

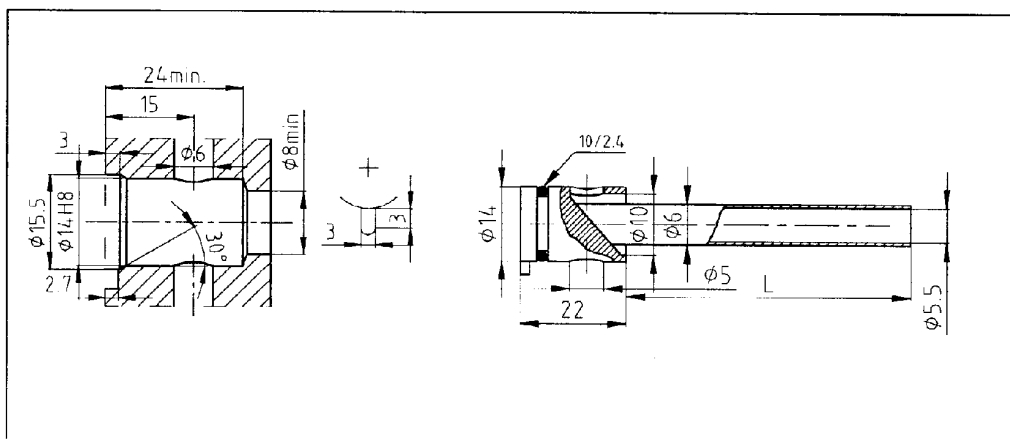
A66.xxx.xxx



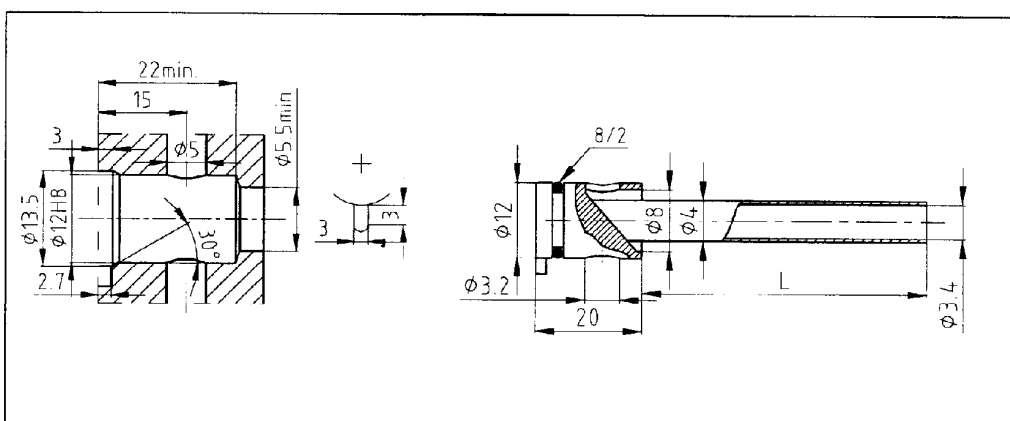
A66.010.xxx		
ø	L	Référence
10	105	A66.010.105
	205	A66.010.205
	305	A66.010.305



A66.008.xxx		
ø	L	Référence
8	105	A66.008.105
	205	A66.008.205
	305	A66.008.305



A66.006.xxx		
ø	L	Référence
6	105	A66.006.105
	205	A66.006.205
	305	A66.006.305

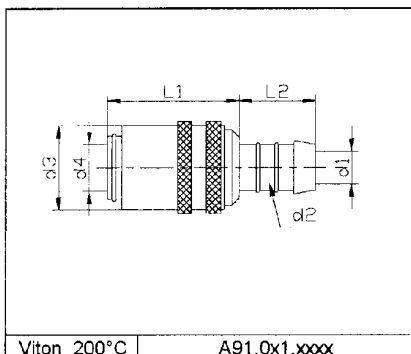


A66.004.xxx		
ø	L	Référence
4	105	A65.004.105
	205	A65.004.205
	305	A65.004.305

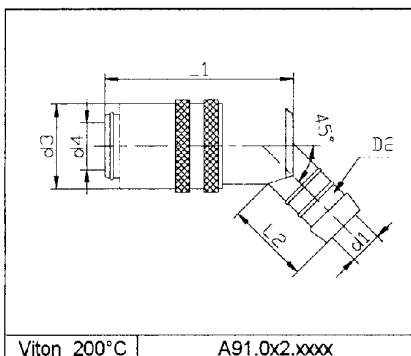


CONNECTEUR

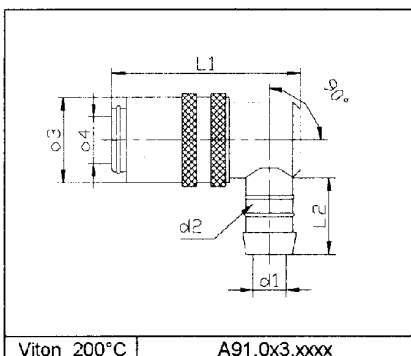
A91.xxx.xxxx
A92.xxx.xxxx



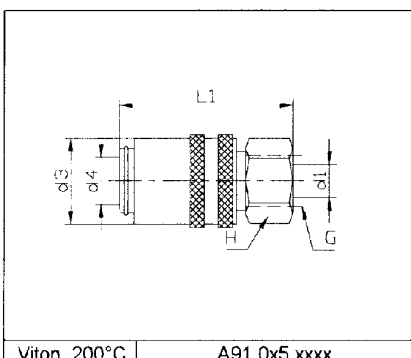
d4	d1	d2	d3	L1	L2				
9	4	6.3	17	30	18				
	6	8						A91.011.0406	A91.001.0406
		9.5						A91.011.0608	A91.001.0608
		12.7						A91.011.0609	A91.001.0609
13.5	10	12.7	22.5	36.5	21	A91.011.1012	A91.001.1012		



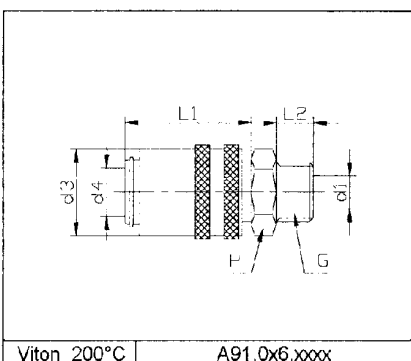
d4	d1	d2	d3	L1	L2				
9	4	6.3	17	41	20				
	6	8						A91.012.0406	A91.002.0406
		9.5						A91.012.0608	A91.002.0608
								A91.012.0609	A91.002.0609
13.5	10	12.7	22.5	52	25	A91.012.1012	A91.002.1012		



d4	d1	d2	d3	L1	L2				
9	4	6.3	17	41	20				
	6	8						A91.013.0406	A91.003.0406
		9.5						A91.013.0608	A91.003.0608
								A91.013.0609	A91.003.0609
13.5	10	12.7	22.5	52	26	A91.013.1012	A91.003.1012		



d4	d1	G	d3	L1	H				
9	6	M10x1	17	41	17				
		M14x1.5						A91.015.0610	A91.005.0610
		G1/4"						A91.015.0614	A91.005.0614
		G3/8"						A91.015.0654	A91.005.0654
13.5	10	M16x1.5	22.5	48	21				
		G3/8"						A91.015.0656	A91.005.0656
		G3/8"						A91.015.1016	A91.005.1016
		G1/2"						A91.015.1056	A91.005.1056
						A91.015.1058	A91.005.1058		

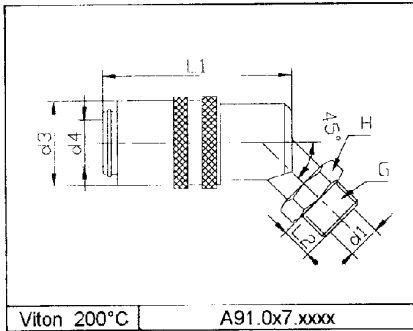


d4	d1	G	d3	L1	L2	H				
9	6	M10x1	17	36	10	17				
		M14x1.5							A91.016.0610	A91.006.0610
		G1/4"							A91.016.0614	A91.006.0614
		G3/8"							A91.016.0654	A91.006.0654
13.5	10	M16x1.5	22.5	42	10	21				
		G3/8"							A91.016.0656	A91.006.0656
		G3/8"							A91.016.1016	A91.006.1016
		G1/2"							A91.016.1056	A91.006.1056
							A91.016.1058	A91.006.1058		



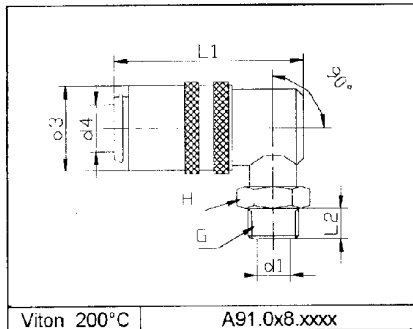
CONNECTEUR

A91.xxx.xxxx
A92.xxx.xxxx



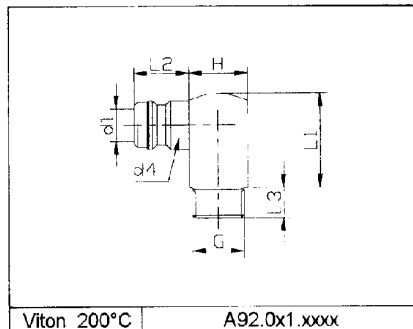
Viton 200°C A91.0x7.xxxx

d4	d1	G	d3	L1	L2	H			
9	6	M10x1	17	41	9	17		A91.017.0610	A91.007.0610
		M14x1.5						A91.017.0614	A91.007.0614
		G1/4"						A91.017.0654	A91.007.0654
13.5	10	M16x1.5	22.5	52	10	17		A91.017.1016	A91.007.1016



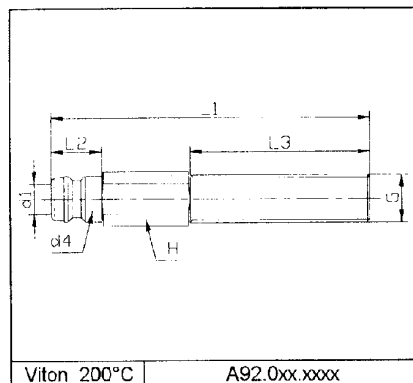
Viton 200°C A91.0x8.xxxx

d4	d1	G	d3	L1	L2	H			
9	6	M10x1	17	41	9	17		A91.018.0610	A91.008.0610
		M14x1.5						A91.018.0614	A91.008.0614
		G1/4"						A91.018.0654	A91.008.0654
13.5	9	M16x1.5	22.5	52	10	17		A91.018.1016	A91.008.1016



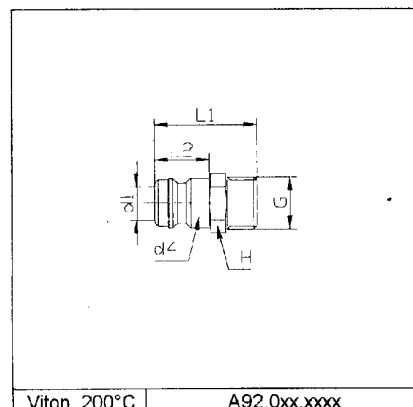
Viton 200°C A92.0x1.xxxx

d4	d1	G	H	L1	L2	L3		
9	6	M10x1	14.5	9	20	12		A92.001.0610
		G1/8"				14		A92.001.0652
		G1/4"				12		A92.001.0654
		G3/8"				14		A92.001.0656
13.5	9	M14x1.5	14	24	15	17		A92.001.0614
		G1/4"				9		A92.001.0954
		G3/8"				10		A92.001.0956
		M16x1.5				9		A92.001.0914
						10		A92.001.0916



Viton 200°C A92.0xx.xxxx

d4	d1	G	H	L1	L2	L3			
9	6	M10x1	11	50	14.5	9		A92.002.0610	
		M14x1.5	14					A92.002.0614	
		G1/8"	11					A92.002.0652	
		G1/4"	14					A92.002.0654	
		M10x1	11				60		A92.003.0610
		M14x1.5	14						A92.003.0614
		G1/8"	11						A92.003.0652
13.5	10	G1/4"	14	100	15	60		A92.003.0654	
		G3/8"	17					A92.003.0656	
		G1/4"	14					A92.002.1054	
		G3/8"	17					A92.002.1056	
		M14x1.5	14					A92.002.1014	
		M16x1.5	17		A92.002.1016				



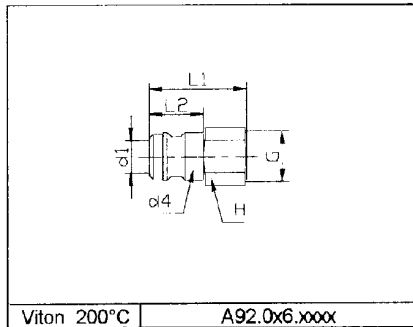
Viton 200°C A92.0xx.xxxx

d4	d1	G	H	L1	L2		
9	6	M8x.075	11	28	18		A92.004.0608
		M10x1	11	25			A92.004.0610
		G1/8"	11	25			A92.004.0652
		G1/4"	14	29/26			A92.014.0654
		G3/8"	17	29/26			A92.014.0656
		M14x1.5	14	29/26			A92.014.0614
		M10x1	11	29			A92.005.0610
		G1/8"	11	26			A92.005.0652
		G1/4"	14	32			A92.005.0654
		13.5	9	G1/8"		14	28
G1/4"	14			27	18		A92.014.0954
G3/8"	17			31	15		A92.014.0956
M14x1.5	14			29	19		A92.014.0914
M16x1.5	17			32	19		A92.014.0916

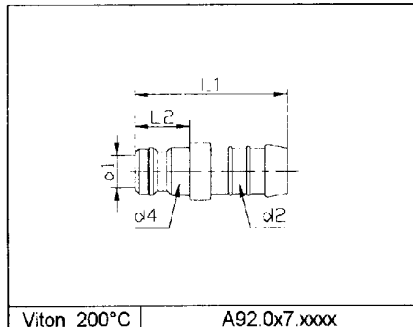


RACCORD FILETE

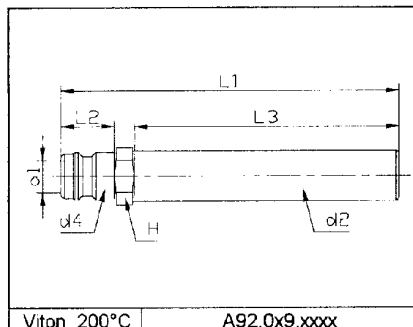
A91.xxx.xxxx
A92.xxx.xxxx



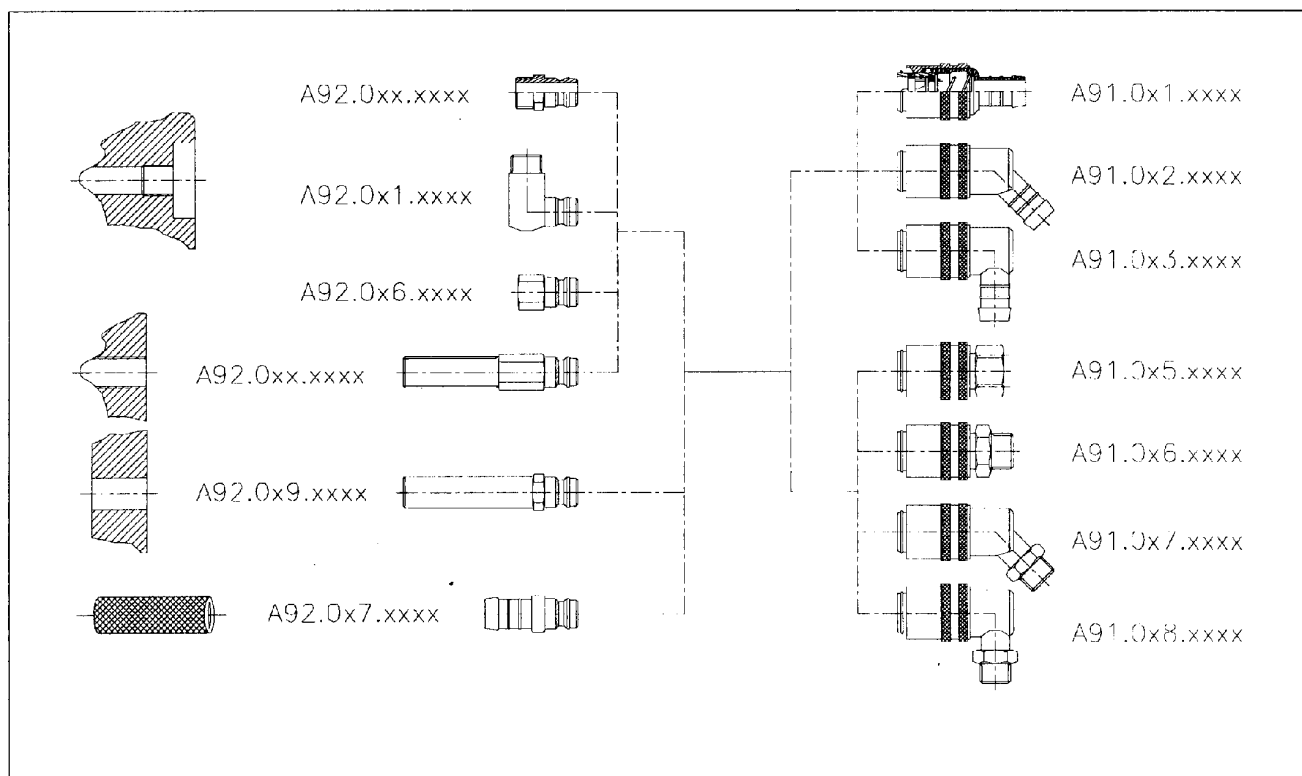
d4	d1	G	H	L1	L2		
9	6	G1/8"	14	27	14.5		A92.006.0652
		G1/4"	17				A92.006.0654



d4	d1	d2	L1	L2		
9	6	4.7	37	14.5		A92.007.0604
		6.3				A92.007.0606
		8				A92.007.0608
		9.5				A92.007.0609
		12.7				A92.007.0612
13.5	9	12.7	41.5	14.5		A92.007.0912



d4	d1	d2	H	L1	L2	L3		
9	6	10	11	120	14.5	99		A92.009.0612
			240	219		A92.009.0624		
			360	339		A92.009.0636		
13.5	10	14	14	150	15	130		A92.009.1015
			300	A92.009.1030				
			450	A92.009.1045				





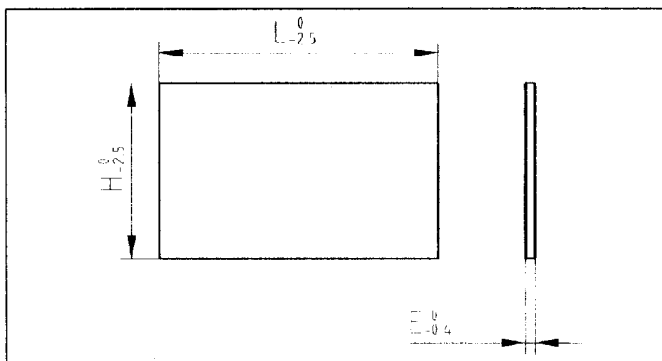
PLAQUE THERMO-PROTECTRICE

W10.xxxx.xxx
W11.xxxx.xxx

Matière : Résine synthétique
Fibre de verre (sans amiante)

Caractéristiques :
P max. (20°C) 450 N/mm² / (200°C) 250 N/mm²
C° max. 220 °C continu / 280 °C pointes
 $\lambda=0.24$ W/m.k

Exemple de commande :
Plaque Thermo-Protectrice
H = 156 L = 246 E = 5
Veuillez indiquer : Réf **W10.1524.005**



H	L	E	Référence
156	156	3	W10.1515.003
	156	5	W10.1515.005
	196	3	W10.1519.003
	196	5	W10.1519.005
	246	3	W10.1524.003
	246	5	W10.1524.005
196	196	3	W10.1919.003
	196	5	W10.1919.005
	246	3	W10.1924.003
	246	5	W10.1924.005
	296	5	W10.1929.005
	346	5	W10.1934.005
218	246	5	W10.2124.005
	296	5	W10.2129.005

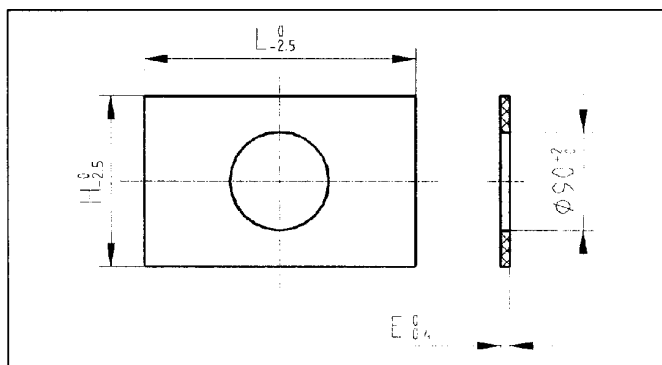
H	L	E	Référence
246	246	5	W10.2424.005
	246	7	W10.2424.007
	296	5	W10.2429.005
	296	7	W10.2429.007
	346	5	W10.2434.005
	346	7	W10.2434.007
296	396	5	W10.2439.005
	396	7	W10.2439.007
	296	5	W10.2929.005
	296	7	W10.2929.007
	296	8,5	W10.2929.008
	346	7	W10.2934.007
396	346	8,5	W10.2934.008
	396	7	W10.2939.007
	396	8,5	W10.2939.008

H	L	E	Référence
296	446	7	W10.2944.007
	496	8,5	W10.2949.008
346	346	7	W10.3434.007
	346	8,5	W10.3434.008
	396	7	W10.3439.007
	396	8,5	W10.3439.008
	446	8,5	W10.3444.008
	496	7	W10.3449.007
396	496	8,5	W10.3449.008
	396	7	W10.3939.007
	396	8,5	W10.3939.008
	446	7	W10.3944.007
	446	8,5	W10.3944.008
	496	8,5	W10.3949.008

Matière : Résine synthétique
Fibre de verre (sans amiante)

Caractéristiques :
P max. (20°C) 450 N/mm² / (200°C) 250 N/mm²
C° max. 220 °C continu / 280 °C pointes
 $\lambda=0.24$ W/m.k

Exemple de commande :
Plaque Thermo-Protectrice
H = 156 L = 246 E = 5
Veuillez indiquer : Réf **W11.1524.005**



H	L	E	Référence
156	156	3	W11.1515.003
	156	5	W11.1515.005
	196	3	W11.1519.003
	196	5	W11.1519.005
	246	3	W11.1524.003
	246	5	W11.1524.005
196	196	3	W11.1919.003
	196	5	W11.1919.005
	246	3	W11.1924.003
	246	5	W11.1924.005
	296	5	W11.1929.005
	346	5	W11.1934.005
218	246	5	W11.2124.005
	296	5	W11.2129.005

H	L	E	Référence
246	246	5	W11.2424.005
	246	7	W11.2424.007
	296	5	W11.2429.005
	296	7	W11.2429.007
	346	5	W11.2434.005
	346	7	W11.2434.007
296	396	5	W11.2439.005
	396	7	W11.2439.007
	296	5	W11.2929.005
	296	7	W11.2929.007
	296	8,5	W11.2929.008
	346	7	W11.2934.007
396	346	8,5	W11.2934.008
	396	7	W11.2939.007
	396	8,5	W11.2939.008

H	L	E	Référence
296	446	7	W11.2944.007
	496	8,5	W11.2949.008
346	346	7	W11.3434.007
	346	8,5	W11.3434.008
	396	7	W11.3439.007
	396	8,5	W11.3439.008
	446	8,5	W11.3444.008
	496	7	W11.3449.007
396	496	8,5	W11.3449.008
	396	7	W11.3939.007
	396	8,5	W11.3939.008
	446	7	W11.3944.007
	446	8,5	W11.3944.008
	496	8,5	W11.3949.008